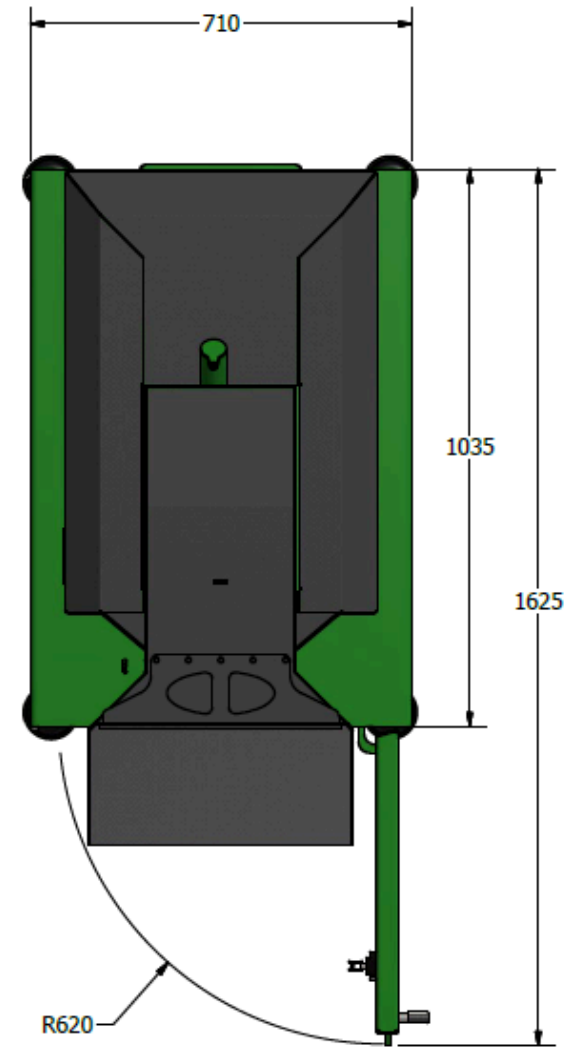
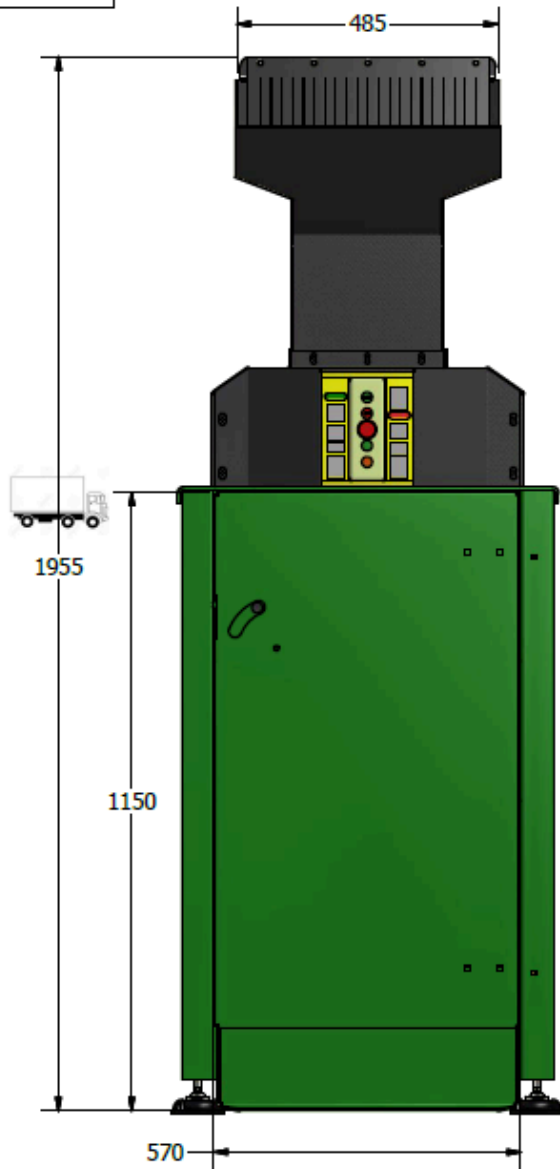
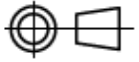


THIRD ANGLE PROJECTION



WWW.TRI-LOGIC.FR

MODEL CODE	G5
MACHINE WEIGHT	320 KG
NOISE LEVEL	70 dB