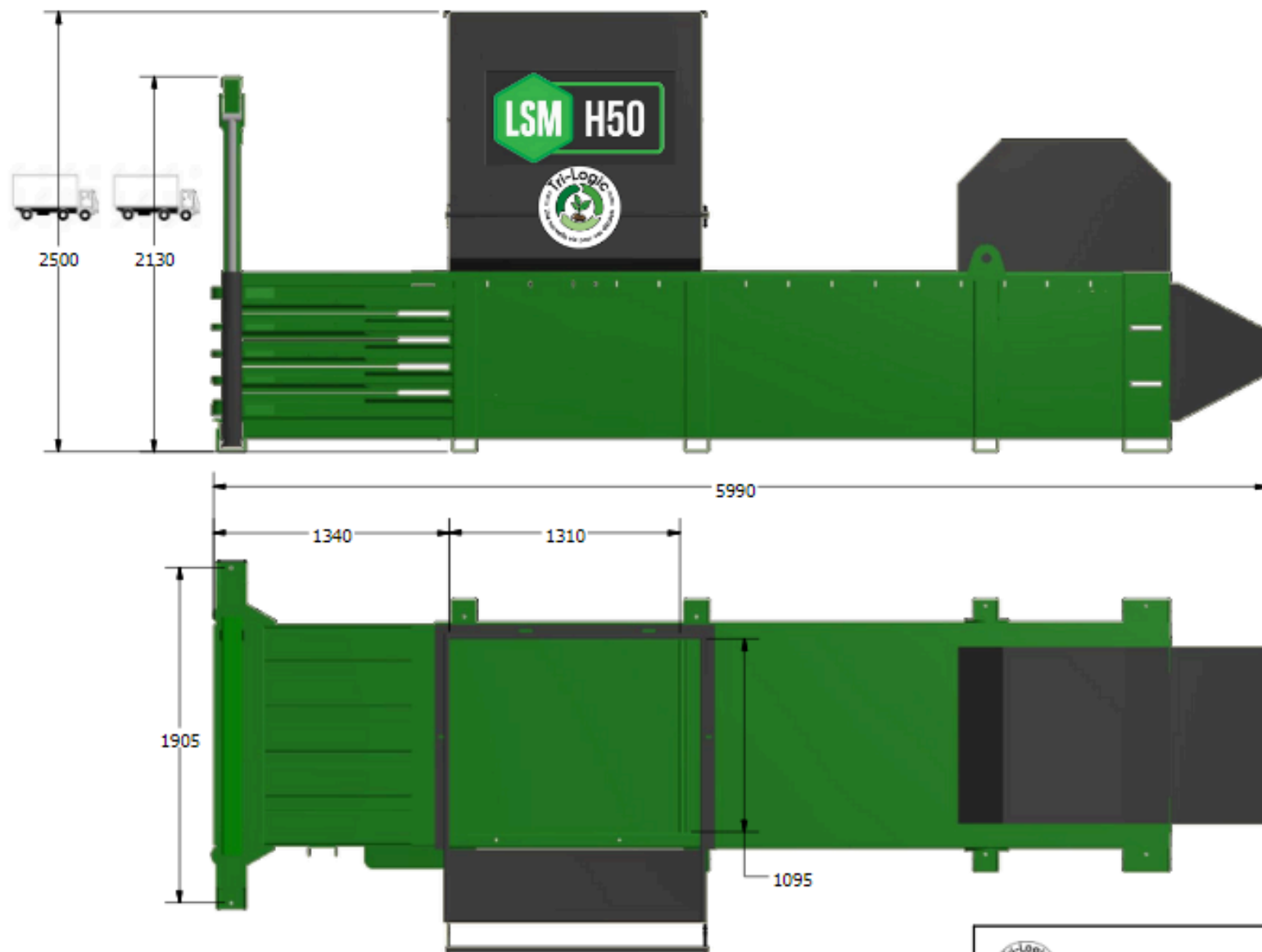
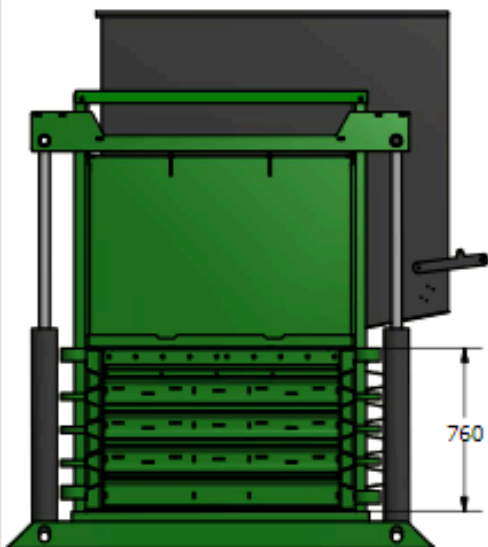


THIRD ANGLE PROJECTION



WWW.TRI-LOGIC.FR

MODEL CODE	H50
MACHINE WEIGHT	7,000 Kg
NOISE LEVEL	80 dB