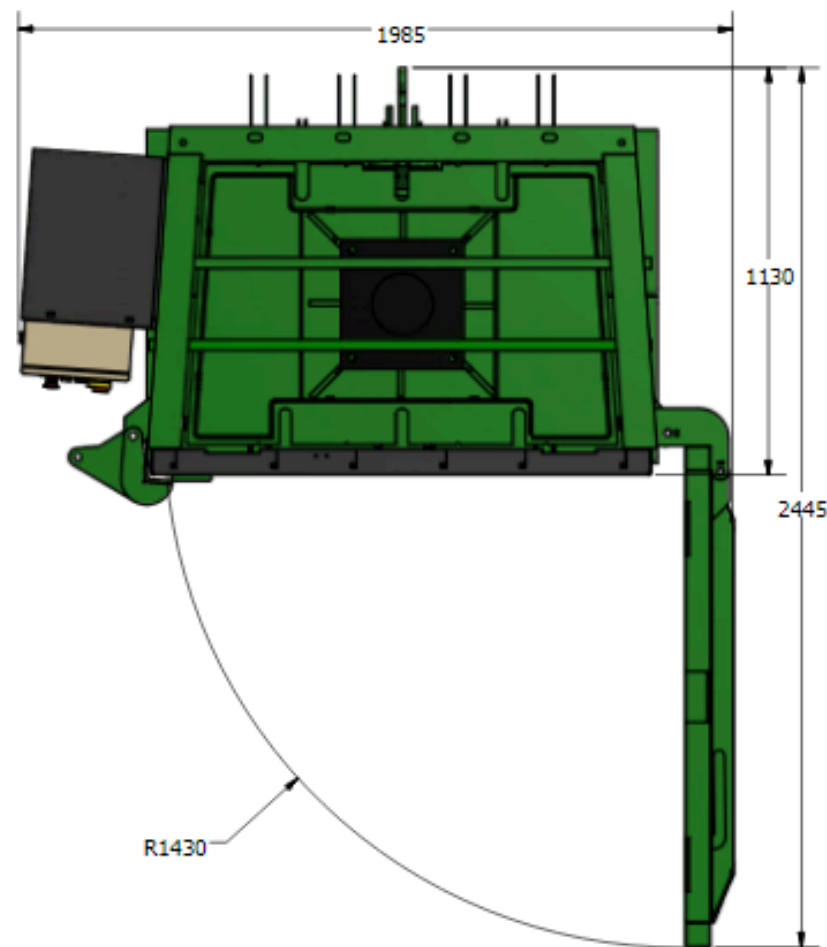
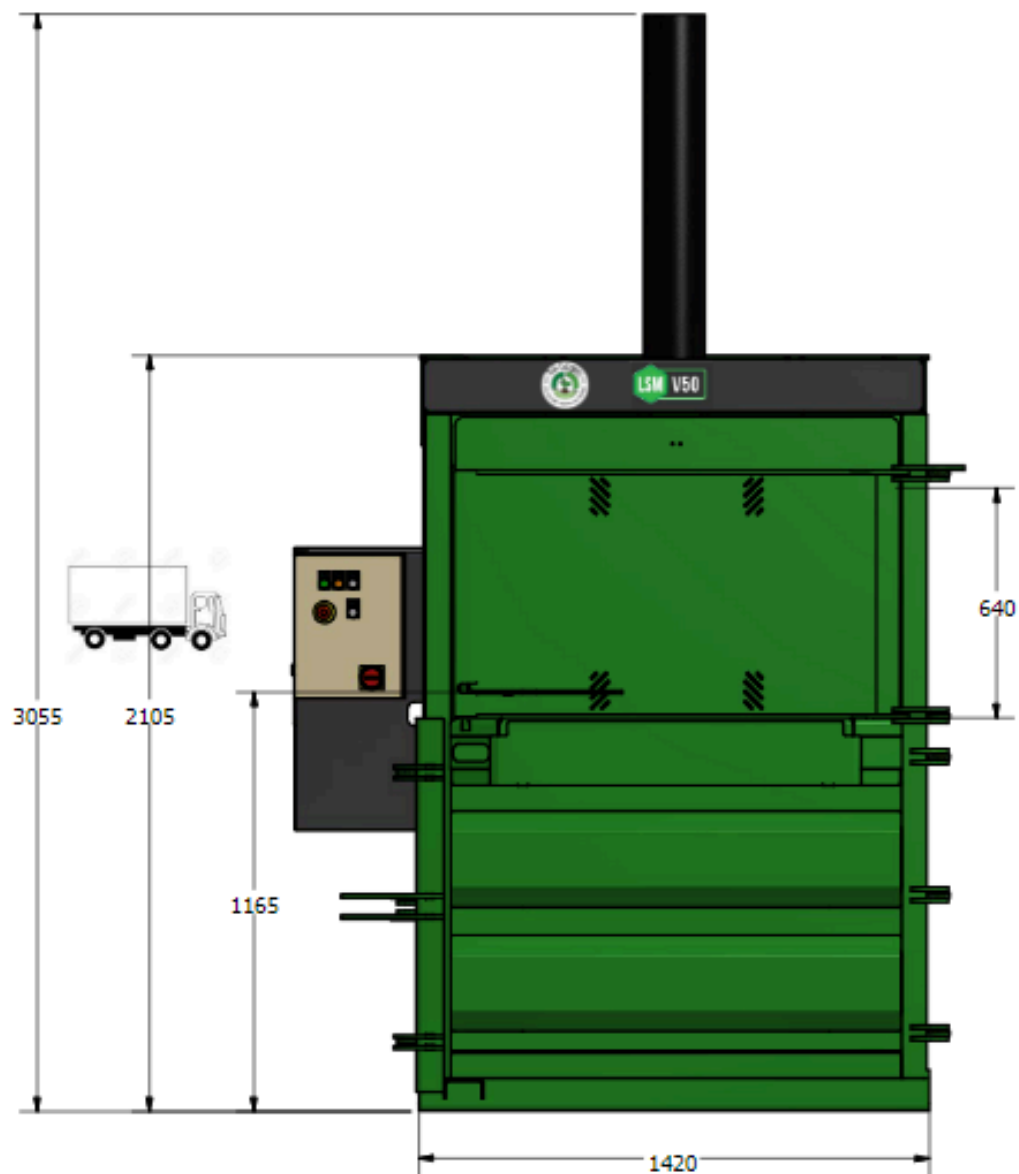
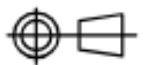


THIRD ANGLE PROJECTION



WWW.TRI-LOGIC.FR

MODEL CODE	V50
MACHINE WEIGHT	1870 KG
NOISE LEVEL	74 dB