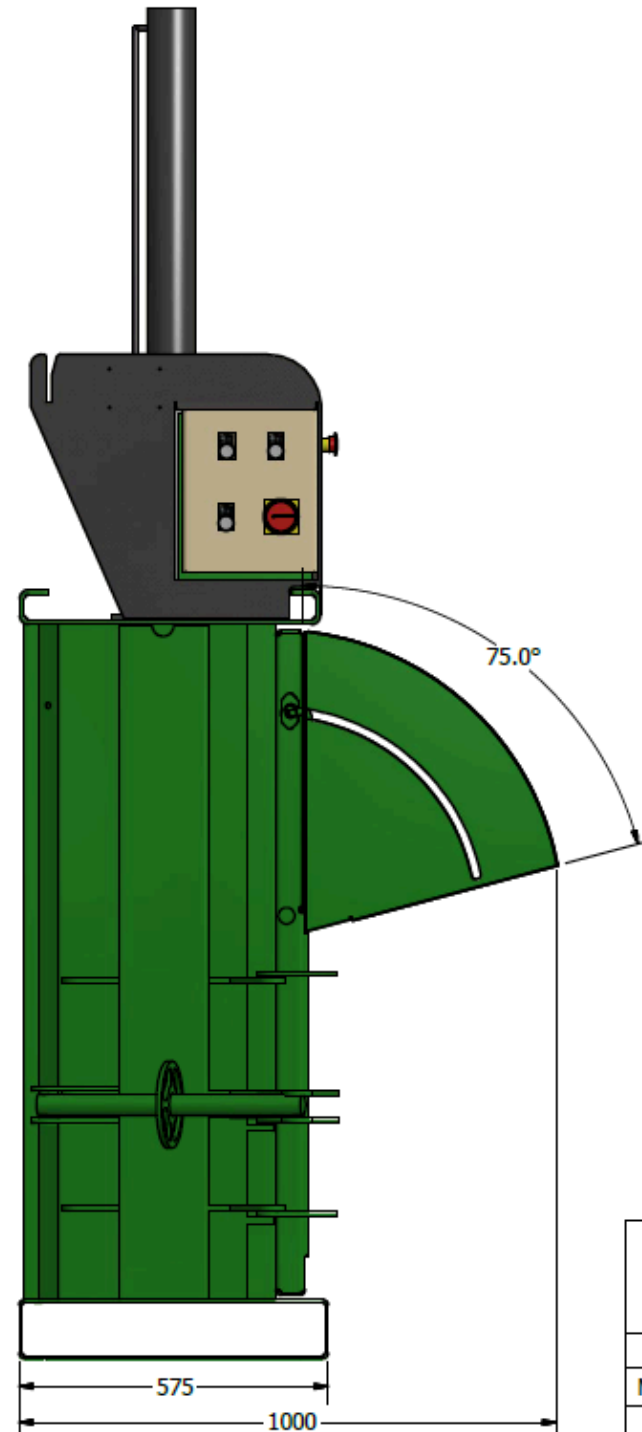
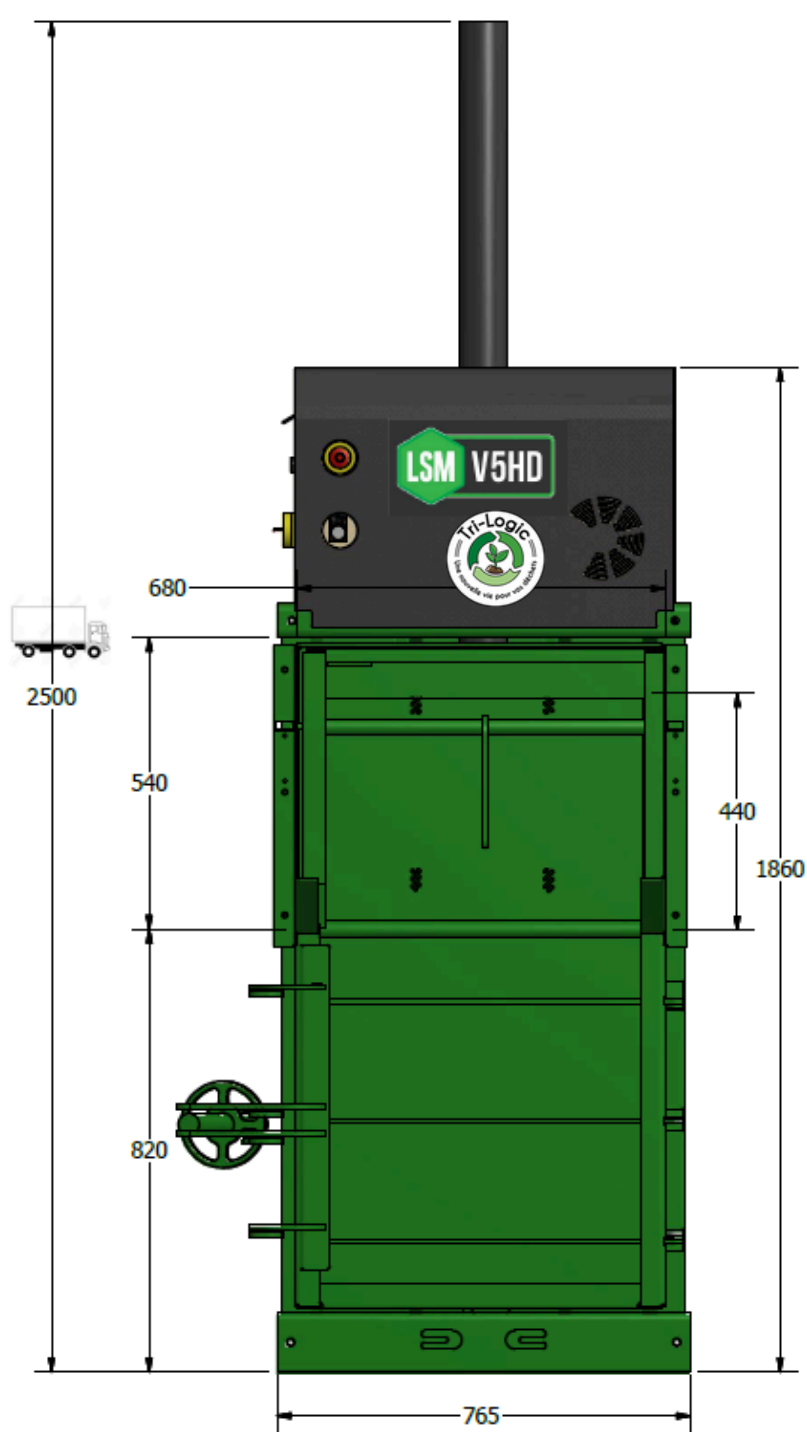
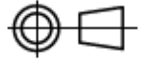


THIRD ANGLE PROJECTION



WWW.TRI-LOGIC.FR

MODEL CODE	V5HD
MACHINE WEIGHT	415 Kg
NOISE LEVEL	78 dB