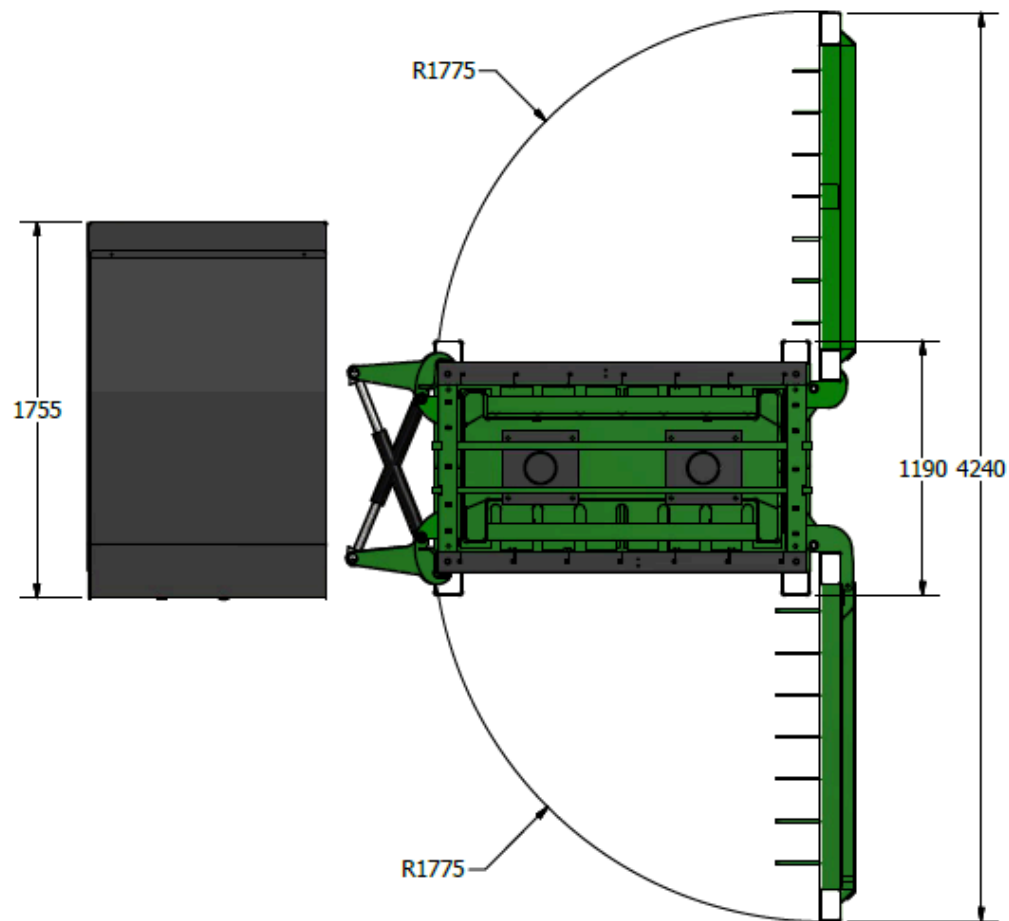
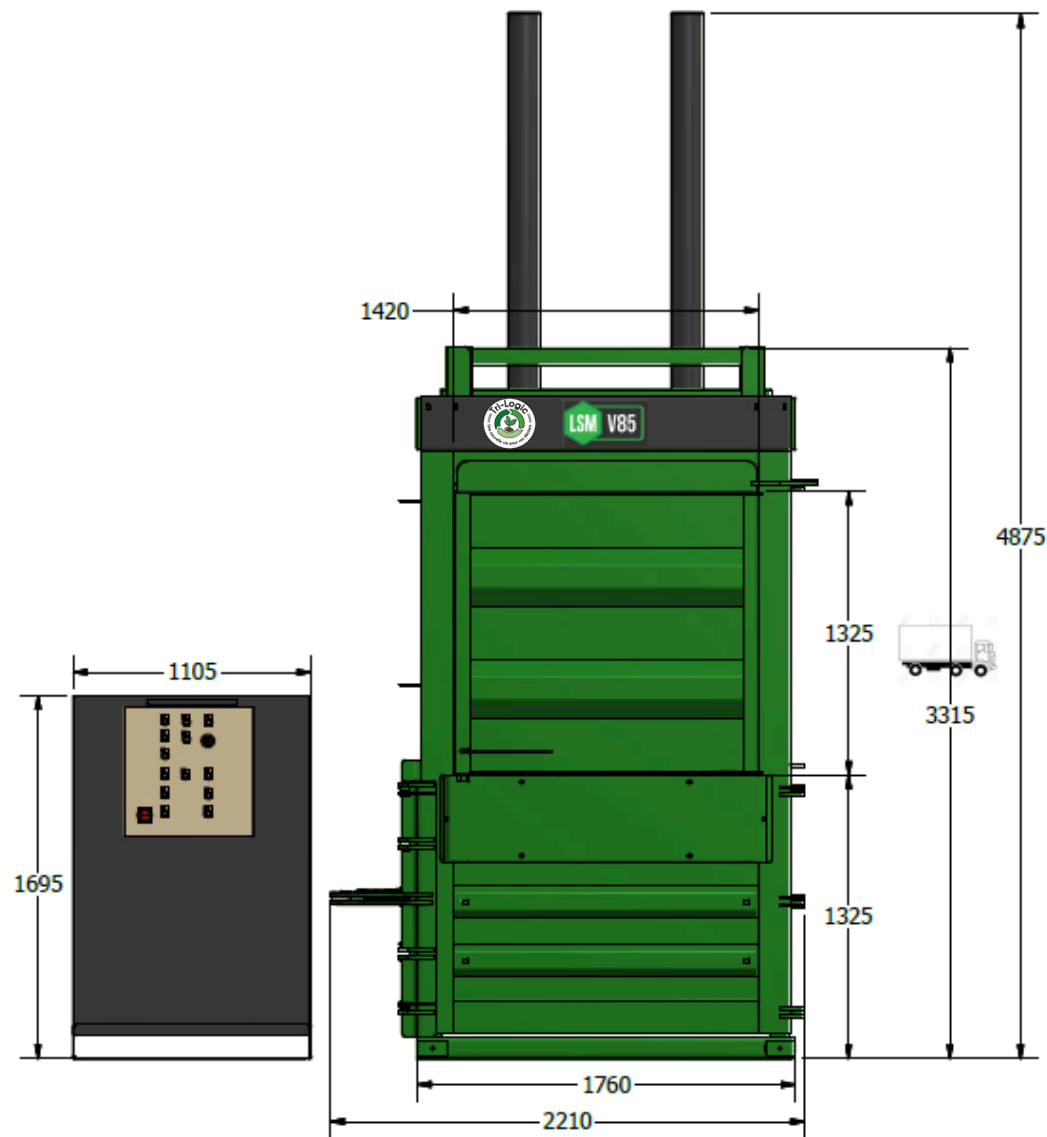
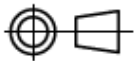


THIRD ANGLE PROJECTION



WWW.TRI-LOGIC.FR

MODEL CODE	V85
MACHINE WEIGHT	5,500 Kg
NOISE LEVEL	76 dB